

mellerware[®]

makes life easier

POTENZA
cordless
kettle



1.7L Capacity

360° Cordless
kettle

Boil dry safety
cut-out



complies with
INTERNATIONAL
IEC60335
SAFETY SPECIFICATIONS

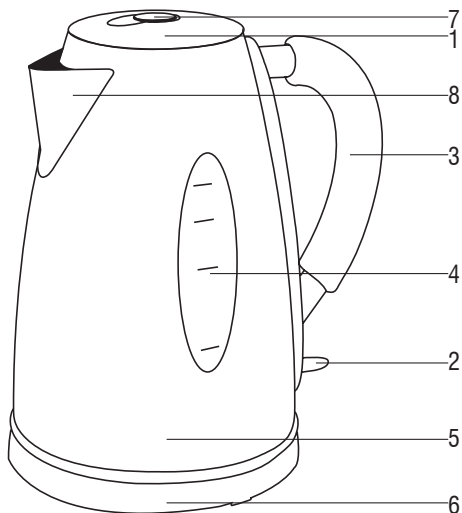
m
1850-
2200W

2 YEAR
WARRANTY

Model:
22360A

Dear customer,

Thank you for choosing to purchase a Mellerware brand product. Thanks to its technology, design and operation and the fact that it exceeds the strictest quality standards, a fully satisfactory use and long product life can be assured.



1. Parts description

1. Lid
2. ON/OFF switch
3. Handle
4. Water level indicator
5. Kettle body
6. 360° base
7. Pop-up lid button
8. Water spout

2. Safety advice and warnings!

Read these instructions carefully before switching on the appliance and keep them for future reference. Failure to follow and observe these instructions could lead to an accident. Clean all the parts of the product that will be in contact with food, as indicated in the cleaning section, before use.

2.1. Use or working environment:

- 2.1.1. Keep the working area clean and well lit. Cluttered and dark areas invite accidents.
- 2.1.2. Use the appliance in a well ventilated area.

2.1.3. Do not place the appliance on hot surfaces, such as cooking plates, gas burners, ovens or similar items.

2.1.4. Keep children and bystanders away when using this appliance.

2.1.5. Place the appliance on a horizontal, flat, stable surface suitable for withstanding high temperatures and away from other heat sources and contact with water.

2.1.6. Keep the appliance away from flammable material such as textiles, curtains, cardboard or paper, etc.

2.1.7. Do not place flammable material near the appliance.

2.1.8. Do not use the appliance in association with a programmer, timer or other device that automatically switches it on.

2.1.9. Do not use the appliance if the cable or plug is damaged.

2.1.10. Ensure that the voltage indicated on the rating label matches the mains power supply voltage before plugging in the appliance.

2.1.11. Connect the appliance to the mains power supply with an earth socket withstanding a minimum of 10 amperes.

2.1.12. The appliance's plug must fit into the mains power supply socket properly. Do not alter the plug.

2.1.13. If using a multi plug check ratings carefully as the current used by several appliances could easily exceed the rating of the multi plug.

2.1.14. If any of the appliance casings breaks, immediately disconnect the appliance from the mains power supply to prevent the possibility of an electric shock.

2.1.15. Do not use the appliance if it has fallen on the floor or if there are visible signs of damage.

2.1.16. Do not force the power cord. Never use the power cord to lift up, carry or unplug the appliance.

2.1.17. Do not wrap the power cord around the appliance.

2.1.18. Do not clip or crease the power cord.

2.1.19. Do not allow the power cord to hang or to come into contact with the hot surfaces of the appliance.

2.1.20. Check the state of the power cord. Damaged or tangled cables increase the risk of electric shock.

2.1.21. The appliance is not suitable for outdoor use.

2.1.22. Power cord should be regularly examined for signs of damage, and if the cord is damaged, the appliance must not be used.

2.1.23. Do not touch the plug with wet hands.



2.2. Personal safety:

2.2.1. CAUTION: Do not leave the appliance unattended during use as there is a risk of an accident.

2.2.2. Do not touch the heated parts of the appliance, as it may cause serious burns.

2.2.3. This appliance is only for domestic use, not for industrial or professional use. It is not intended to be used by guests in hospitality environments such as bed and breakfast, hotels, motels, and other types of residential environments, even in farm houses, areas of the kitchen staff in shops, offices and other work environments.

2.2.4. This appliance is not intended for use by persons (including children) with reduced physical, sensory or mental capabilities, or lack of experience and knowledge, unless they have been given supervision or instruction concerning use of the appliance by a person responsible for their safety.

2.2.5. This appliance is not a toy. Children should be supervised to ensure that they do not play with the appliance.

2.3. Use and care:

2.3.1. Fully unroll the appliance's power cable before each use.

2.3.2. Do not use the appliance if the parts or accessories are not properly fitted.

2.3.3. Do not use the appliance when empty.

2.3.4. Do not turn the appliance over while it is in use or connected to the mains power supply.

2.3.5. Do not cover the cooking surface or food with aluminium foil and other similar materials.

2.3.6. Unplug the appliance from the mains power supply when not

in use and before undertaking any cleaning task.

2.3.7. This appliance should be stored out of reach of children.

2.3.8. Do not store the appliance if it is still hot.

2.3.9. Never leave the appliance unattended when in use and keep out of the reach of children.

2.3.10. If, for some reason, the appliance were to catch fire, disconnect the appliance from the mains power supply and **DO NOT USE WATER TO PUT THE FIRE OUT.**

2.4. Service:

2.4.1. Make sure that the appliance is serviced only by suitably qualified technician, and that only original

spare parts or accessories are used to replace existing parts/accessories.

2.4.2. If the power cord is damaged, the manufacturer or its service agent or a similarly qualified person must

replace it in order to avoid a hazard.

2.4.3. Any misuse or failure to follow the instructions for use renders the guarantee and the manufacturer's liability null and void.

3. Instructions for use

3.1. Before use:

3.1.1. Remove the appliance's protective film (if applicable).

3.1.2. Before using the product for the first time, clean the parts that will come into contact with food in the manner described in the cleaning section.

3.2 Use and care:

3.2.1. Open the lid of the kettle, fill with tap water to the desired level. (Min. capacity is 0.6L and max. capacity is 1.7L). In hard water areas, using purified or filtered water is recommended to reduce the amount of scale build up in the kettle. (Note: You may also fill through the spout, but be careful not to overflow – use water level gauge to check).

3.2.2. Close the lid until it clips. Place the kettle on the base and plug into the mains.

3.2.3. To switch on the kettle, press the On/Off switch to position 1. (CAUTION: Do not place downward pressure on the switch). When the water has boiled the kettle will automatically switch off. You can stop the kettle at any time by pressing the On/Off switch to position 0.




3.2.4. Pour slowly and carefully. If you wish to re-boil, please allow a minute for the kettle to cool down.

3.2.5 **Warning:** If the kettle has just boiled it will be full of steam that will escape if the lid is opened.

3.2.6 **IMPORTANT:** Do not open the lid when steam is coming out of the spout. Before pouring or filling always remember to disconnect from electricity.

3.2.7 **Note:** If the kettle is switched on when empty or with insufficient water, then the kettle will switch off automatically to protect against dry boiling. Wait ± 15 minutes until the heating element cools down, refill with tap water and use as normal. This protection function is not designed for regular use, as it will shorten the life of the element. If the kettle is





overfilled, boiling water may be ejected. The kettle is only to be used with the stand provided (cordless models only). The appliance must not be immersed in liquid during cleaning. If the supply cord is damaged, the manufacturer or its service agent or a similarly qualified person must replace it in order to avoid a hazard.

4. Cleaning and Maintenance

4.1.1. DESCALING

Always ensure that the kettle is disconnected from the mains before descaling. Scaling or furring is a common problem in hard water areas.

4.1.2. Fill the kettle to MAX position and boil the water. Remove the kettle from the power socket and the base unit and place it in an empty sink or bowl.

4.1.3. Add 50 grams of Citric Acid (available from chemists) or other descaler products (available at supermarkets) to the water or as directed.

4.1.4. Leave it to stand for approximately 5 minutes or until the effervescence subsides, and then empty the water. Rinse thoroughly, and wipe.



5. Anomalies and repair

5.1. Take the appliance to an authorised support centre if product is damaged or other problems arise.

5.2. If the connection to the mains has been damaged, it must be replaced and you should proceed as you would in the case of damage.

6. Additional warnings for kettles

6.1. The kettle and base (where applicable) must not be operated with any other models of kettle.

6.1.2. The kettle is fitted with a dry-operation cutout that switches off the kettle if it has boiled dry. If this happens allow the kettle to cool down for approximately 15 minutes, then fill the kettle with cold water. This will reset the cutout so that the kettle can be used again.

6.1.3. Do not overfill. Check the water level gauge when filling.

6.1.4. Never remove the cord from the kettle while in operation. Switch off the appliance first.

6.1.5. Ensure the lid is closed properly before switching on, to prevent water splashing out when boiling. Do not open the lid when boiling

6.1.6. After the kettle has boiled it may need a minute

to cool down before restarting.

6.1.7. Take care when pouring. Pour slowly and do not over-tilt.

6.1.8. Make sure the kettle is always used on a flat surface.

6.1.9. Water will remain hot for considerable time after boiling and will present a scalding hazard. Take care and keep away from children.

6.1.10. The outside surface of the kettle will become hot during use. To avoid injuries only hold the handle.

6.1.11. Take care to avoid contact with the steam coming from the lid or spout.

PRODUCT SPECIFICATION:

Voltage: 220-240 V ~ 50-60Hz

Power: 1850-2200W

Water capacity: Minimum 0.6L – Maximum 1.7L



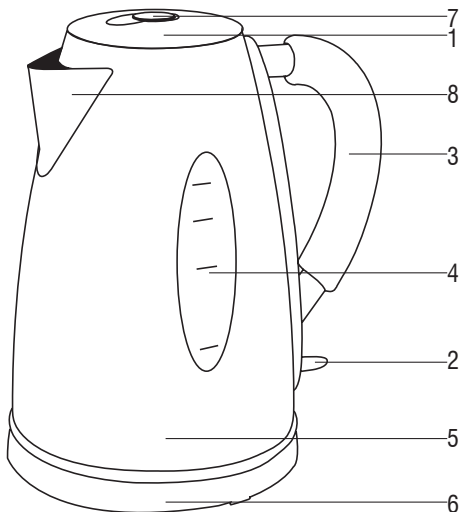
Trouble shooting guide

Problem	Reason	Action	Pre-caution
Kettle is leaking water	May be condensation.	This is normal if boiled a number of times in succession.	This kettle is for household use only.
	Kettle is over filled.	Pour water out to MAX level.	If overfilled water can eject from the kettle resulting in a hazard.
	Switch is sticking.	Ensure the switch is clean.	Keep appliance away from cooking splatter.
Kettle does not work	Household socket is off.	Switch on household socket.	Ensure water covers the element before operating.
	Household socket is not working.	Check the socket with another appliance	Appliance must be of similar wattage to prevent overloading.
	Kettle is not seated on base correctly.	Seat kettle on base correctly.	The life of the kettle will be reduced if not seated on base correctly.
Kettle trips mains power supply	Overloaded circuit.	Unplug all appliances attached to the same same circuit.	Note that there can be up to 5 household plug sockets on 1 circuit.
Kettle takes too long to boil	Element has lime scale deposits	Descal element using a proprietary descaler or citric acid solution. If not successful then a new element may be required.	Kettles with scale will have a reduced lifespan. Clean the scale regularly.
Kettle works intermittently	Element has lime scale deposits.	Descal element using a proprietary descaler or citric acid solution. If not successful then a new element may be required.	Kettles with scale will have a reduced lifespan. Clean the scale regularly.
Kettle is rusting on outside	Steam deposit has oxidised and turned into an orange colour.	Wipe your kettle after each use to keep dry.	Keeping any appliance clean at all times will extend the life of the product.
Element is rusting. Rust spots on element.	Water deposits on the element. Some areas have water that will result in orange or brown stains.	Some stains are stubborn and a descaler may not be effective. This should not affect funtion.	Use distilled water.
Kettle does not switch off automatically.	Lid not positioned correctly or is off.	Place lid on the kettle securely.	Ejecting steam from the spout or lid can be a hazard.

Geagte Klient

Baie dankie vir u keuse om 'n Mellerware handelsmerk produk te koop. Danksy die tegnologie, ontwerp, en werking en die feit dat dit voldoen aan die strengste gehalte standaarde, is u verseker van 'n volle bevredigende gebruik en lang produklewe.

1. Beskrywing



1. Parte Beskrywing

1. Lid Deksel
2. Ann/Af Skakelaar
3. Handvat
4. Water indikasie
5. Ketel liggaam
6. 360° basis
7. Op spring deksel knoppie
8. Water spuit

2. Belangrike veiligheidsvoorsorg

Wanneer elektriese toestelle gebruik word, moet die basiese veiligheidsmaatreels altyd gevolg word. Maak al die parte wat met kos in aanraking kom deeglik skoon voor gebruik.

2.1. Gebruik en werksomgewing:

- 2.1.1. Hou die werk oppervlak skoon en helder verlig. Ongelukke gebeur in donker areas.
- 2.1.2. Gebruik die produk in 'n goed geventileerde area.
- 2.1.3. Moenie die toestel naby 'n warm gas of elek-

triese brander of 'n warm oond plaas nie.

- 2.1.4. Streng toesig is nodig as die toestel naby of deur kinders gebruik word.
- 2.1.5. Plaas toestel op 'n stabiele area en weg van water.
- 2.1.6. 'n Brand mag ontstaan as die rooster bedek is of aan vlambare materiaal raak, insluitende gordyne as dit in werking is.
- 2.1.7. Die toestel is nie geskik om op aan 'n tydsbeheer toestel te Koppel.
- 2.1.8. Moenie die toestel gebruik as die koord of prop beskadig is.
- 2.1.9. Maak seker die spanning soos aangedui op die gradering etiket kom ooreen met die hoofspanning.
- 2.2.10. Prop in elektriese uitlaat.
- 2.1.11. Die toestel prop moet in die hoof prop pas en moenie die prop verander
- 2.1.12. Indien 'n multi prop gebruik word maak seker die toestel se strome oorskry nie die gradering van die multi prop.
- 2.1.13. Moenie die toestel gebruik as die prop of koord beskadig is nie of enige sigbare skade aan die omhulsel is nie.
- 2.1.14. Moenie die toestel gebruik as dit op die vloer geval het en daar is sigbare skade.
- 2.1.15. Moenie die koord gebruik om die toestel te dra, op te tel of van diemuurprop te ontkoppel nie.
- 2.1.16. Die koord mag nooit om die toestel gedraai word nie.
- 2.1.17. Moenie die koord plooi nie
- 2.1.18. Die koord Moenie oor die kant van die tafel of toonbank hang of aan warm oppervlakte raak nie.
- 2.1.19. Maak seker die koord is nie beskadig of verstrengel nie.
- 2.1.20. Die toestel moet nie buite gebruik word nie.
- 2.1.21. Moenie die prop met nat hande hanteer nie.

2.2. Persoonlike veiligheid:

- 2.2.1. LET WEL: Moenie die toestel sonder toesig laat nie.
- 2.2.2. Moenie warm oppervlakte aanraak nie gebruik handvatsels of knoppe want dit kan lei tot ernstige brandwonde.
- 2.2.3. Die toestel is nie geskik vir industriële gebruik soos kantore, hotelle, motelle en gastehuse.
- 2.2.4. Die toestel is nie geskik vir gebruik deur verminderde fisiese verstandelike vermoens of gebrek aan ervaring of kennis tensy hulle opleiding gehad het.
- 2.2.5. Die toestel is nie 'n speelding and kinders moet altyd toesig hê om te verhoed dat hulle met die toestel speel.

2.3. Gebruik en sorg:

2.3.1. Die kabel moet ten volle afgewikkel word voor gebruik.

2.3.2. Die toestel moet nie gebruik word as die parte of bykomstighede nie behoorlik pas

2.3.3. Die toestel moet nooit leeg gebruik word nie.

2.3.4. Die Toestel moet nooit gedraai word terwyl dit in werking is of in die muurprop gekoppel is.

2.3.5. Die kook oppervlakte moet nooit toegemaak word me foelie of soortgelyke materiaal.

2.3.6. Ontkoppel die toestel van die hooftoevoer as dit nie in gebruik is nie en laat dit heeltemal afkoel

voordat dit skoonmaak word. As dele afgehaal word of toegevoeg word, moet die toestel nie in werking wees nie.

2.3.7. Die toestel moet buite bereik van kinders gestoor word.

2.3.8. Die toestel moet heeltemal afkoel voor dit gestoor word.

2.3.9. Die toestel moet altyd onder toesig wees wanneer in gebruik en moet buite bereik van kinders gehou word.

2.3.10. As die toestel aan die brand slaan ontkoppel van die muursok en gooi n kombuis vadoek oor.

MOET NOOIT WATER GEBRUIK!!!

2.4. Diens:

2.4.1. Die toestel moet deur 'n gekwalifiseerde tegnikus gediens word.

2.4.2. As die koord beskadig word moet dit deur die diensagent of 'n gekwalifiseerde persoon vervang word om brandgevaar te verhoed.

2.4.3. Enige misbruik en mislukking om instruksies te volg lewer die waarborg nul en leemte.

3. Instruksies vir gebruik

3.1. Voor gebruik:

3.1.2. Voor die toestel vir die eerste keer gebruik word maak alle parte skoon wat met kos in aanraking kom soos voorgeskryf in skoonmaak artikel.

3.2. Gebruik en Versorging

3.2.1. Maak die deksel van die ketel oop en vul met gelangde hoeveelheid water. (Min. kapasiteit is 0.6L en max. kapasiteit is 1.7L). In harde water gebiede gebruik gesuiwerde of gefiltreerde water om die opbou van kalk te verhoed. (Let wel: Jy kan die ketel volmaak deur die tuit maar wees versigtig om nie oorvol te maak. Gebruik die water indikasie om seker te maak).

3.2.2. Maak die deksel toe tot dit in posisie klip.

Plaas die ketel op die basis en prop in Elektries uitlaat.

3.2.3. Om die ketel aan te sit, druk die aan/af knoppie na posisie 1. (BELANGRIK: Moenie te veel druk op die knoppie plaas nie). Die ketel sal automaties afskakel as die kooktyd verstryk het. Die kooktyd kan enige tyd onderbreek word deur die aan/af knoppie na posisie 0 te druk.

3.2.4. Gooi die water stadig en versigtig. As U die water weer wil kook laat die ketel afkoel vir 'n minuut.

3.2.5. Waarskuwing: Na kook is die ketel vol stoom wat sal uitkom as die deksel opgelig word.

3.2.6. Belangrik: Moenie die deksel oopmaak as stoom by die tuit uitkom. Voordat begin om water uit die ketel te gooi of om vol te maak ontkoppel van die muurprop.

3.2.7. Let Wel: Die ketel sal automaties afsit as daar nie water in is nie as gevolg van 'n droog kook funksie in die ketel. Wag ± 15 minute vir die element om af te koel, maak vol water en gebruik. Die droog kook funksie is nie ontwerp vir normale gebruik nie en sal die lewensyd van die element verkort. As die ketel oorvol gemaak word sal kokende water by die tuit uitkom. Die ketel mag net gebruik word met die basis wat voorsien word (koordlose modelle). Die toestel mag nie in water gedruk word tydens skoonmaak.

4. Sorg en skoonmaak

4.1.1. Ontkalking

Verseker die ketel is ontkoppel van die muurprop voor ontkalking begin. Skalering is 'n probleem in hardewater gebiede.

4.1.2. Ontkoppel die ketel van die muurprop en plaas in 'n lee houer. Maak die ketel vol water tot by die maximum posisie.

4.1.3. Voeg 50gram sitroensuur (beskikbaar by apteke en sekere kleinhandelaars) by die water soos voorgeskryf.

4.1.4. Laat die sitroensuur toe om te werk vir 5 minute of tot die kook bedaar. Gooi die water uit en spoel deegklik en vee skoon.

5. Anomalies and herstel

5.1. Neem die toestel na gemagtigde tegniese sentrum as toestel beskadig is of probleme ontstaan.

5.2. As koneksie na die muurprop beskadig is moet die toestel vervang word volgens waarborg.

6. Addisionele waarskuwing vir ketels

- 
- 
- 
- 6.1. Die ketel en die basis (waar van toepassing) moet nie saam ander tipe ketels gebruik nie.
- 6.1.2. Die ketel sal automaties afsit as daar nie water in is nie as gevolg van 'n droog kook funksie in die ketel. Wag ± 15 minute vir die element om af te koel, maak vol water en gebruik.
- 6.1.3. Moenie die ketel oorvol maak nie.
- 6.1.4. Moet nooit die koord van die ketel verwyder teryl dit gebruik word nie. Skakel die toestel eers af.
- 6.1.5. Verseker die deksel is behoorlik toe voor die ketel aangeskakel word om te verhoed dat warm water uitspat wanneer die ketel kook. Moenie die deksel oopmaak tydens die kookproses.
- 6.1.6. Die ketel moet afkoel voordat dit weer gekkok kan word.
- 6.1.7. Wees versigtig wanneer water uitgegooi word.
- 6.1.8. Die ketel op op 'n plat, stabiele area gebruik word.
- 6.1.9. Die water sal vir 'n aansienlike tyd warm bly na dit gekook het en kan brand. Wees versigtig en hou weg van kinders.
- 6.1.10. Die ketel liggaam sal baie warm word tydens gebruik. Om beserings te voorkom hou by die handvatsel vas.
- 6.1.11. Wees versigtig vir die stoom wat uit die deksel en tuit kom.

Produk spesifikasies:

Spanning: 220-240V ~ 50-60Hz

krag: 1850:2200W

Water Kapasiteit: Minimum 0.6L – Maximum 1.7L

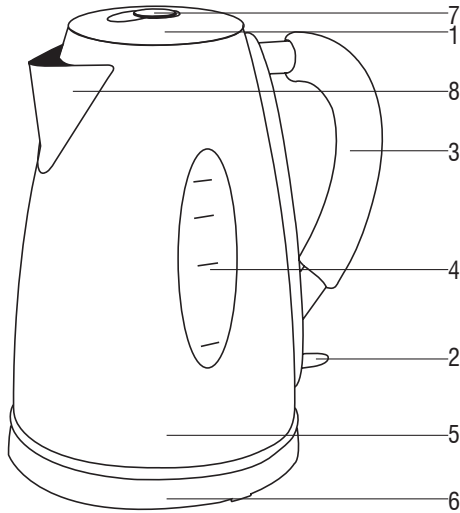


Foutopsporings gids

Probleem	Rede	Aksie	Beleid
Ketel lek water	Kan kondensasie wees	Dis normaal as ketel na mekaar gekook word.	Die ketel is vir huishoudelike gebruik alleen
	Ketel is oorvol	Gooi van die water uit na die max vlak	Warm water kan by die tuit uitkom as die ketel oorvol is en `n brand gevaar wees
	Aan/af knoppie sit vas	Maak seker die knoppie is skoon	Hou toestel weg van kook area
ketel werk nie	Maak seker muursok is aan	Skakel muursok aan	Maak seker die ketel element is toe onder water
	Muursok werk nie	Toets met `n ander toestel	Toestel moet soortgelyke krag wees om te verhoed dat oorlading plaasvind.
	Ketel is nie op die basis	Sit stewig op basis	Die ketel moet korrek op die basis geplaas word
Ketel skop hoof kragbron uit	Kring is oorlaai	Ontkoppel alle toestelle op dieselfde kring	Let wel daar kan tot 5 huishoudelike proppe op een kring wees
Ketel vat lank om te kook	Element het kalk	Ontkalk soos in handleiding	Ketels met kalk het `n korter lewensduurte. Ontkalk gereeld
Ketel werk met tussenposes	Element het kalk	Ontkalk soos in handleiding	Ketels met kalk het `n korter lewensduurte. Ontkalk gereeld
Ketel roes aan buitekant	Stoom het geoksideer en in oranje kleur verander	Maak ketel met `n sagte doek droog na gebruik	Hou toestelle ten alle tye skoon
Element roes	Water in sekere gebiede los oranje of bruin kolle	Ontkalk soos in handleiding	Hou toestelle ten alle tye skoon
Ketel skakel nie outomaties af	Deksel is nie in regte posisie of is af	Maak seker deksel is in regte posisie	Stoom wat uit die deksel en tuit kom kan brandwonde veroorsaak

Estimado cliente,

Gracias por elegir comprar un producto de la marca Mellerware. Gracias a su tecnología, diseño y operación, y al hecho de que supera los estándares de calidad más estrictos, se puede asegurar un uso totalmente satisfactorio y una larga vida del producto.



1. Descripción de las piezas

1. Tapa
2. Interruptor de encendido / apagado
3. Mango
4. Indicador de nivel de agua
5. Cuerpo de la caldera
6. Base de 360°
7. Botón de tapa emergente
8. Caño de agua

2. Consejos y advertencias de seguridad!

Lea estas instrucciones cuidadosamente antes de cambiar

En el aparato y guárdelos para futuras consultas. El incumplimiento y el cumplimiento de estas instrucciones podría provocar un accidente. Limpie todas las partes del producto que estarán en contacto con los alimentos, tal como se indica en la sección de limpieza, antes del uso.

2.1. Uso o ambiente de trabajo:

2.1.1. Mantenga el área de trabajo limpia y bien iluminada. Las áreas desordenadas y oscuras invitan a accidentes.

2.1.2. Utilice el aparato en un lugar bien ventilado.

2.1.3. No coloque el aparato sobre superficies calientes, como placas de cocción, quemadores de gas, hornos o artículos similares.

2.1.4. Mantenga alejados a los niños y transeúntes cuando utilice este aparato.

2.1.5. Coloque el aparato sobre una superficie horizontal, plana y estable, adecuada para soportar altas temperaturas y lejos de otras fuentes de calor y en contacto con el agua.

2.1.6. Mantenga el aparato alejado de materiales inflamables como textiles, cortinas, cartón o papel, etc.

2.1.7. No coloque material inflamable cerca del aparato.

2.1.8. No utilice el aparato en combinación con un programador, temporizador u otro dispositivo que lo encienda automáticamente.

2.1.9. No utilice el aparato si el cable o el enchufe están dañados.

2.1.10. Asegúrese de que la tensión indicada en la etiqueta de características coincide con la tensión de red antes de enchufar el aparato.

2.1.11. Conecte el aparato a la red de alimentación eléctrica con un enchufe hembra que soporte un mínimo de 10 amperios.

2.1.12. El enchufe del aparato debe encajar correctamente en la toma de corriente. No altere el enchufe.

2.1.13. Si el uso de un enchufe múltiple revisa las clasificaciones con cuidado, ya que la corriente utilizada por varios aparatos podría exceder fácilmente la capacidad del enchufe múltiple.

2.1.14. Si se rompe alguna de las cubiertas del aparato, desconecte inmediatamente el aparato de la red eléctrica para evitar la posibilidad de una descarga eléctrica.

2.1.15. No utilice el aparato si ha caído en el suelo o si hay signos visibles de daños.

2.1.16. No fuerce el cable de alimentación. Nunca use el cable de alimentación para levantar, llevar o desenchufar el aparato.

2.1.17. No envuelva el cable de alimentación alrededor del aparato.

2.1.18. No sujete ni pliegue el cable de alimentación.

2.1.19. No permita que el cable de alimentación cuelgue o entre en contacto con las superficies calientes del aparato.

2.1.20. Compruebe el estado del cable de alimentación. Los cables dañados o enredados aumentan el

riesgo de descarga eléctrica.

2.1.21. El aparato no es adecuado para uso en exteriores.

2.1.22. El cable de alimentación debe ser examinado regularmente

Si hay señales de daños y si el cable está dañado, no utilice el aparato.

2.1.23. No toque el enchufe con las manos mojadas

2.2. Seguridad personal:

2.2.1. **PRECAUCIÓN:** No deje el aparato desatendido durante el uso ya que existe el riesgo de un accidente.

2.2.2. No toque las partes calentadas del aparato, ya que puede causar quemaduras graves.

2.2.3. Este aparato es sólo para uso doméstico, no para uso industrial o profesional. No está destinada a ser utilizada por huéspedes en ambientes de hospitalidad como bed and breakfast, hoteles, moteles y otros tipos de ambientes residenciales, incluso en casas de granja, áreas del personal de cocina en tiendas, oficinas y otros ambientes de trabajo.

2.2.4. Este aparato no está diseñado para ser utilizado por personas (incluyendo niños) con capacidades físicas, sensoriales o mentales reducidas, o por falta de experiencia y conocimiento, a menos que hayan recibido supervisión o instrucciones sobre el uso del aparato por parte de una persona responsable de su seguridad.

2.2.5. Este aparato no es un juguete. Los niños deben ser supervisados para asegurarse de que no juegan con el aparato.

2.3. Uso y cuidado:

2.3.1. Desenrolle completamente el cable de alimentación del aparato antes de cada uso.

2.3.2. No utilice el aparato si las piezas o los accesorios no están correctamente colocados.

2.3.3. No utilice el aparato cuando esté vacío.

2.3.4. No encienda el aparato mientras esté en uso o conectado a la red eléctrica.

2.3.5. No cubra la superficie o los alimentos con papel de aluminio y otros materiales similares.

2.3.6. Desconecte el aparato de la red eléctrica cuando no esté en uso y antes de realizar cualquier tarea de limpieza.

2.3.7. Este aparato debe guardarse fuera del alcance de los niños.

2.3.8. No almacene el aparato si todavía está caliente.

2.3.9. Nunca deje el aparato desatendido cuando esté en uso y manténgalo fuera del alcance de los niños.

2.3.10. Si, por alguna razón, el aparato Desconecte el aparato de la red eléctrica y NO UTILICE AGUA PARA APAGAR EL FUEGO.

2.4. Servicio:

2.4.1. Asegúrese de que el aparato sea reparado únicamente por un técnico debidamente calificado y que sólo se utilicen piezas de recambio o accesorios originales para reemplazar los accesorios existentes.

2.4.2. Si el cable de alimentación está dañado, el fabricante o su agente de servicio o una persona cualificada debe reemplazarlo para evitar un peligro.

2.4.3. Cualquier uso indebido o incumplimiento de las instrucciones de uso invalida la garantía y la responsabilidad del fabricante.

3. Instrucciones de uso

3.1. Antes de usar:

3.1.1. Retire la película protectora del aparato (si corresponde).

3.1.2. Antes de usar el producto por primera vez, limpie los platos que entrarán en contacto con los alimentos de la manera descrita en la sección de limpieza.

3.2 Uso y cuidado:

3.2.1. Abra la tapa del hervidor; Llenar con agua del grifo hasta el nivel deseado. (La capacidad mínima es 0.6L y la capacidad máxima es 1.7L). En áreas de agua dura, se recomienda usar agua purificada o filtrada para reducir la cantidad de incrustaciones acumuladas en el hervidor. (Nota: También puede llenar a través del surtidor, pero tenga cuidado de no llenar excesivamente - utilice el medidor de nivel de agua para verificar).

3.2.2. Cierre la tapa hasta que se sujete. Coloque el hervidor sobre la base y enchufe en la red eléctrica.

3.2.3. Para encender el hervidor, presione el interruptor de encendido / apagado en la posición 1.

(PRECAUCIÓN: No ponga presión hacia abajo en el interruptor). Cuando el agua se ha hervido el hervidor se apaga automáticamente. Puede detener el hervidor en cualquier momento presionando el interruptor de encendido / apagado a la posición 0.

3.2.4. Vierta lentamente y cuidadosamente. Si desea volver a hervir, deje pasar un minuto para que el hervidor se enfríe.

3.2.5 Advertencia: Si el hervidor acaba de hervir, estará lleno de vapor que escapará si se abre la tapa.

3.2.6 IMPORTANTE: No abra la tapa cuando salga vapor de la boquilla. Antes de verter o llenar siempre recuerde desconectar el enchufe de la red eléctrica.

3.2.7 Nota: Si la tetera está encendida cuando está vacía o con agua insuficiente, entonces la caldera se apagará automáticamente para proteger contra la ebullición en seco. Espere

± 15 minutos hasta que el elemento de calentamiento se enfríe, vuelva a llenar con agua del grifo y utilice como normal. Esta función de protección no está diseñada para un uso regular, ya que reducirá la vida útil del elemento. Si el hervidor se llena excesivamente, el agua hirviendo puede ser expulsada. El hervidor sólo se debe utilizar con el soporte proporcionado (inalámbrico

Modelos solamente). El aparato no debe sumergirse en líquido durante la limpieza. Si el cable de alimentación está dañado, el fabricante o su agente de servicio o una persona cualificada debe reemplazarlo para evitar un peligro.

4. Limpieza y Mantenimiento

4.1.1. Descalcificación

Siempre asegúrese de que el hervidor esté desconectado de la red eléctrica antes de descalcificar. Escalado o furring es un problema común en las zonas de agua dura.

4.1.2. Llene el hervidor a la posición MAX y hervir el agua. Retire el hervidor de la unidad base y el enchufe de la toma de corriente y colóquelo en un fregadero o tazón vacío.

4.1.3. Añadir 50 gramos de ácido cítrico (disponible de los químicos) u otros productos descalcificantes (disponibles en los supermercados) al agua o según las indicaciones.

4.1.4. Dejar reposar durante aproximadamente 5 minutos o hasta que la efervescencia desaparezca y luego vaciar el agua. Enjuague bien y limpie.

5. Anomalías y reparación

5.1. Lleve el aparato a un centro de asistencia autorizado si el producto está dañado o si surgen otros problemas.

5.2. Si se ha dañado la conexión a la red, se debe sustituir y debe proceder como lo haría en caso de daños.

6. Advertencias adicionales para la calderas

6.1. El hervidor y la base (si procede) no deben utilizarse con ningún otro modelo de hervidor.

6.1.2. La caldera está equipada con un corte en seco que apaga la caldera si se ha secado en hervido. Si esto

Ocurre que la cafetera se enfríe durante aproximadamente 15 minutos, luego llene el hervidor con agua fría. Esto reajustará el corte para que el hervidor pueda ser usado de nuevo.

6.1.3. No llene demasiado. Compruebe el indicador de nivel de agua al llenar.

6.1.4. Nunca retire el enchufe de la toma de corriente mientras esté en funcionamiento. Desconecte primero el aparato.

6.1.5. Asegúrese de que la tapa esté bien cerrada antes de encenderla, para evitar salpicaduras de agua al hervir. No abra la tapa al hervir

6.1.6. Después de que el hervidor haya hervido, puede que necesite un minuto para enfriarse antes de reiniciar.

6.1.7. Tenga cuidado al verter. Vierta lentamente y no se incline demasiado.

6.1.8. Asegúrese de que el hervidor se utiliza siempre sobre una superficie plana.

6.1.9. El agua permanecerá caliente durante un tiempo considerable después de la ebullición y presentará un riesgo de escaldadura. Tenga cuidado y mantenga alejado de los niños.

6.1.10. La superficie exterior del hervidor se calienta durante el uso. Para evitar lesiones sólo sujete el mango.

6.1.11. Tenga cuidado de evitar el contacto con el vapor que sale de la tapa o el pico.

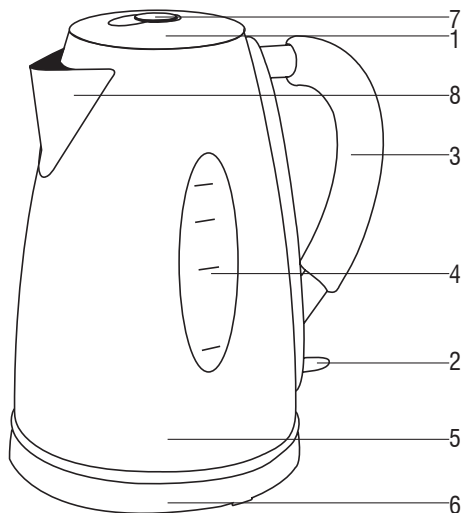
ESPECIFICACIÓN DEL PRODUCTO: Voltaje: 230 V ~
50-60Hz Energía: 2000W
Capacidad de agua: Mínimo 0.6L - Máximo 1.7L

Guía para resolver problemas

Probleem	Rede	Aksie	Beleid
El hervidor de agua está goteando	Puede ser condensación.	Esto es normal si hervido un número de veces en la sucesión.	Este hervidor es para uso doméstico solamente.
	La caldera está llena.	Vierta el agua hasta el nivel "MAX."	Si el agua sobrecargada puede expulsarse del hervidor, resultando en un peligro.
	El interruptor no funciona	Asegúrese de que el interruptor esté limpio.	Mantenga el aparato alejado de las salpicaduras de la cocina.
El hervidor no funciona	El enchufe del hogar está apagado.	Encender el enchufe del hogar.	Asegúrese de que el agua cubrelo antes de operar.
	.El enchufe del hogar no funciona.	Compruebe el enchufe con otro aparato.	El aparato debe tener una potencia similar para evitar sobrecargas.
	La caldera no está colocada correctamente en la base	Asiente el hervidor en la base correctamente.	La vida del hervidor se reducirá si no se asienta correctamente en la base.
El hervidor corta la alimentación de la red	El circuito está sobrecargado.	Desconecte todos los aparatos conectados al mismo circuito.	Note that there can be up to five household plug sockets on one circuit.
El hervidor toma demasiado tiempo para hervir	El elemento tiene depósitos calcáreos	Descalcificar el elemento utilizando un desincrustante patentado o una solución de ácido cítrico. Si no tiene éxito, puede ser necesario un nuevo elemento.	Tenga en cuenta que puede haber hasta cinco tomas de corriente domésticas en un circuito.
Tiene calderas con cal	El elemento tiene depósitos calcáreos.	Descalcificar el elemento utilizando un desincrustante patentado o una solución de ácido cítrico. Si no tiene éxito, puede ser necesario un nuevo elemento.	Las calderas con escala tendrán una vida útil reducida. Limpie la báscula regularmente.
Hervidor de agua está oxidando en el exterior	El depósito de vapor se ha oxidado y se ha convertido en un color naranja.	Limpie su hervidor después de cada uso para mantenerlo seco.	Las calderas con escala tendrán una vida útil reducida. Limpie la báscula regularmente
El elemento está oxidando.	Depósitos de agua en el elemento. Algunas áreas tienen agua que dará lugar a manchas de color naranja o marrón.	.Algunas manchas son tercas y un descalcificador puede no ser eficaz. Esto no debería afectar el funcionamiento.	Utilice agua destilada.
La caldera no se apaga automáticamente.	La tapa no está colocada correctamente o está apagada.	Coloque la tapa en el hervidor de agua con seguridad.	Expulsar el vapor del pico o tapa puede ser un peligro.

Cher client,

Merci d'avoir choisi d'acheter un produit de marque Mellerware. Grâce à sa technologie, sa conception et son fonctionnement et le fait qu'elle dépasse les normes de qualité les plus strictes, une utilisation parfaitement satisfaisante et une longue durée de vie du produit peuvent être assurées.



1. Description des pièces

1. Couvercle
2. Interrupteur marche / arrêt
3. Manipulation
4. Indicateur de niveau d'eau
5. Corps de bouilloire
6. 360° base
7. Bouton Pop-up du couvercle
8. Bec de l'eau

2. Conseils et avertissements de sécurité

Lisez attentivement ces instructions avant de basculer sur l'appareil et conservez-les pour référence ultérieure. Le non-respect et observation de ces instructions peuvent entraîner un accident. Nettoyez tous les éléments du produit qui seront en contact avec les aliments, comme indiqué dans le Section de nettoyage, avant utilisation.

2.1. Environnement d'utilisation ou de travail:

2.1.1. Gardez la zone de travail propre et bien éclairée.

Les zones obstruées et obscures invitent des accidents.

2.1.2. Utilisez l'appareil dans un endroit bien ventilé.

2.1.3. Ne placez pas l'appareil sur des surfaces chaudes, telles que des plaques de cuisson, des brûleurs à gaz, des fours ou des articles similaires.

2.1.4. Tenir à l'écart des enfants et des personnes présentes lors de l'utilisation de cet appareil.

2.1.5. Placez l'appareil sur une surface horizontale, plate et stable, apte à supporter des températures élevées et à l'écart des autres sources de chaleur et au contact de l'eau.

2.1.6. Gardez l'appareil à l'écart des matériaux inflammables tels que les textiles, les courants, le carton ou le papier, etc.

2.1.7. Ne placez pas de matière inflammable près de l'appareil.

2.1.8. N'utilisez pas l'appareil en association avec un programmeur, une minuterie ou un autre appareil qui l'allume automatiquement.

2.1.9. N'utilisez pas l'appareil si le câble ou la fiche est endommagé.

2.1.10. Assurez-vous que la tension indiquée sur l'étiquette d'évaluation correspond à la tension d'alimentation secteur avant de brancher le appareil.

2.1.11. Connectez l'appareil à l'alimentation secteur avec une prise de terre résistant à un minimum de 10 ampères.

2.1.12. La fiche de l'appareil doit s'adapter correctement à la prise secteur. Ne modifiez pas la fiche.

2.1.13. Si vous utilisez une prise multiple des notes de vérification, le courant utilisé par plusieurs appareils pourrait facilement dépasser la note de la prise multiple.

2.1.14. Si l'une des enveloppes de l'appareil est en panne, débranchez immédiatement l'appareil de l'alimentation électrique afin d'éviter tout risque de choc électrique.

2.1.15. N'utilisez pas l'appareil s'il tombe sur le sol ou s'il y a des signes visibles de dégâts.

2.1.16. Ne forcez pas le cordon d'alimentation.

N'utilisez jamais le cordon d'alimentation pour soulever, transporter ou débrancher l'appareil.

2.1.17. Ne placez pas le cordon d'alimentation autour de l'appareil.

2.1.18. Ne plissez pas ou ne pliez pas le cordon d'alimentation.

2.1.19. Ne laissez pas le cordon d'alimentation se bloquer ou entrer en contact avec les surfaces chaudes de l'appareil

2.1.20. Vérifiez l'état du cordon d'alimentation. Les

câbles endommagés ou encheveux augmentent le risque de choc électrique.

2.1.21. L'appareil ne convient pas pour une utilisation à l'extérieur.

2.1.22. Le cordon d'alimentation devrait être examiné régulièrement

Pour des signes de dommages, et si le cordon est endommagé, l'appareil ne doit pas être utilisé.

2.1.23. Ne pas toucher la fiche avec les mains mouillées.

2.2. Sécurité personnelle:

2.2.1. **ATTENTION:** Ne laissez pas l'appareil sans surveillance lors de l'utilisation car il y a un risque d'accident.

2.2.2. Ne pas toucher les parties chauffantes de l'appareil, car cela pourrait provoquer des brûlures graves.

2.2.3. Cet appareil n'est utilisé qu'à usage domestique, non à usage industriel ou professionnel. Il n'est pas destiné à être utilisé par des invités dans des environnements d'hôtellerie tels que des chambres d'hôtes, des hôtels, des motels et d'autres types d'environnements résidentiels, même dans les maisons de ferme, les domaines du personnel de cuisine dans les magasins, les bureaux et autres environnements de travail.

2.2.4. Cet appareil n'est pas destiné à être utilisé par des personnes (y compris des enfants) avec des capacités physiques, sensorielles ou mentales réduites ou un manque d'expérience et de connaissances, à moins d'avoir reçu une supervision ou des instructions concernant l'utilisation de l'appareil par une personne responsable de leur sécurité.

2.2.5. Cet appareil n'est pas un jouet. Les enfants devraient être surveillés pour s'assurer qu'ils ne jouent pas avec l'appareil.

2.3. Utilisation et soin:

2.3.1. Déroulez entièrement le câble d'alimentation de l'appareil avant chaque utilisation.

2.3.2. N'utilisez pas l'appareil si les pièces ou les accessoires ne sont pas correctement installés.

2.3.3. N'utilisez pas l'appareil lorsqu'il est vide.

2.3.4. Ne touchez pas l'appareil lorsqu'il est utilisé ou connecté à l'alimentation secteur.

2.3.5. Ne couvrez pas la surface de cuisson ou les aliments avec du papier d'aluminium et d'autres matériaux similaires.

2.3.6. Débranchez l'appareil de l'alimentation secteur

en cas d'utilisation et avant de prendre toute tâche de nettoyage.

2.3.7. Cet appareil doit être stocké hors de portée des enfants.

2.3.8. Ne rangez pas l'appareil s'il est encore chaud.

2.3.9. Ne laissez jamais l'appareil sans surveillance lorsque vous l'utilisez et gardez-le hors de portée des enfants.

2.3.10. Si, pour une raison ou pour une autre, l'appareil devait prendre feu, débrancher l'appareil de l'alimentation secteur et **NE PAS UTILISER D'EAU POUR ÉTEINDRE LE FEU.**

2.4. Entretien:

2.4.1. Assurez-vous que l'appareil n'est entretenu que par un technicien spécialement qualifié et que seuls les accessoires ou les accessoires d'origine sont utilisés pour remplacer les pièces / accessoires existants.

2.4.2. Si le cordon d'alimentation est endommagé, le fabricant ou son agent de service ou une personne qualifiée doit le remplacer afin d'éviter tout danger.

2.4.3. Toute utilisation abusive ou le non-respect des instructions d'utilisation rend la garantie et la responsabilité du fabricant nulle et non avenue.

3. Instructions d'utilisation

3.1. Avant utilisation:

3.1.1. Enlevez le film protecteur de l'appareil (si possible).

3.1.2. Avant d'utiliser le produit pour la première fois, nettoyez les éléments qui entreront en contact avec les aliments de la manière décrite dans la section de nettoyage.

3.2 Utilisation et soin:

3.2.1. Ouvrez le couvercle de la bouilloire, remplissez de l'eau du robinet au niveau désiré. (La capacité minimale est de 0.6L et la capacité maximale est de 1.7L). Dans les zones d'eau dure, il est recommandé d'utiliser de l'eau purifiée ou filtrée pour réduire la quantité d'échelle accumulée dans la bouilloire. (Remarque: Vous pouvez également remplir le bec verseur, mais faites attention de ne pas trop remplir utiliser la jauge de niveau d'eau pour vérifier).

3.2.2. Fermez le couvercle jusqu'à ce qu'il se clipsse. Placez la bouilloire sur la base et branchez-la dans le secteur. 3.2.3. Pour allumer la bouilloire, appuyez sur le commutateur Marche / Arrêt sur la position 1. (**ATTENTION:** Ne placez pas la pression vers le

bas sur le commutateur). Lorsque l'eau a bouilli, la bouilloire s'éteindra automatiquement. Vous pouvez arrêter la bouilloire à tout moment en appuyant sur l'interrupteur Marche / Arrêt sur la position 0.

3.2.4. Verser doucement et soigneusement. Si vous souhaitez ré-ébullition, veuillez laisser une minute pour refroidir la bouilloire.

3.2.5 Avertissement: Si la bouilloire a juste bouilli, elle sera pleine de vapeur qui s'échappera si le couvercle est ouvert.

3.2.6 **IMPORTANT:** Ne pas ouvrir le couvercle lorsque la vapeur sort du bec. Avant de verser ou de remplir, n'oubliez pas de débrancher la fiche du secteur.

3.2.7 Remarque: Si la bouilloire est allumée lorsqu'elle est vide ou avec de l'eau insuffisante, la bouilloire s'éteint automatiquement pour protéger contre l'ébullition à sec. Attendre \pm 15 minutes jusqu'à ce que l'élément chauffant refroidisse, remplissez l'eau du robinet et l'utilisez comme d'habitude. Cette fonction de protection n'est pas conçue pour une utilisation régulière, car elle aura dix ans la durée de vie de l'élément. Si la bouilloire est trop remplie, l'eau bouillante peut être éjectée. La bouilloire ne doit être utilisée qu'avec le support fourni (modèles sans fil uniquement). L'appareil ne doit pas être immergé en liquide pendant le nettoyage. Si le cordon d'alimentation est endommagé, le fabricant ou son agent de service ou une personne spécialement qualifiée doit le remplacer afin d'éviter tout danger.

4. Nettoyage et entretien

4.1.1. DÉTARTRAGE

Assurez-vous toujours que la bouilloire est débranchée du secteur avant le détartrage. La mise à l'échelle ou le faring est un problème commun dans les zones d'eau dure.

4.1.2. Remplissez la bouilloire à la position MAX et faites bouillir l'eau. Retirez la bouilloire de l'unité de base et de la fiche de la prise de courant et placez-la dans un évier ou un bol vide.

4.1.3. Ajouter 50 grammes d'acide citrique (disponible chez les chimistes) ou d'autres produits de détartrage (disponibles dans les supermarchés) à l'eau ou selon les directives.

4.1.4. Laisser reposer pendant environ 5 minutes ou jusqu'à ce que l'effervescence diminue, puis vider l'eau. Rincer abondamment et essuyer.

5. Anomalies et réparation

5.1. Amenez l'appareil dans un centre d'assistance autorisé si le produit est endommagé ou d'autres problèmes surviennent.

5.2. Si la connexion au secteur a été endommagée, elle doit être remplacée et vous devez procéder comme vous le feriez en cas de dommage.

6. Avertissements supplémentaires pour les bouilloires

6.1. La bouilloire et la base (le cas échéant) ne doivent pas être utilisées avec d'autres modèles de bouilloires.

6.1.2. La bouilloire est équipée d'une découpe à sec qui coupe la bouilloire si elle sèche à l'air dur. Si cela se produit, laissez refroidir la bouilloire pendant environ 15 minutes, puis remplir la bouilloire avec de l'eau froide. Cela réinitialise la découpe afin que la bouilloire puisse être utilisée à nouveau. 6.1.3. Ne pas trop remplir. Vérifiez la jauge de niveau d'eau lors du remplissage.

6.1.4. Ne retirez jamais la fiche de la prise murale en cours de fonctionnement. Éteignez d'abord l'appareil.

6.1.5. Assurez-vous que le couvercle est bien fermé avant de l'allumer, afin d'éviter l'éclaboussure d'eau lors de l'ébullition. Ne pas ouvrir le couvercle lors de l'ébullition

6.1.6. Une fois la bouilloire bouillie, il peut être nécessaire de refroidir une minute avant de redémarrer.

6.1.7. Prenez soin de vous verser. Verser lentement et ne pas trop basculer.

6.1.8. Assurez-vous que la bouilloire est toujours utilisée sur une surface plane.

6.1.9. L'eau reste chaud pendant un temps considérable après ébullition et présentera un danger de brûlures. Prenez soin de vous et éloignez-les les enfants.

6.1.10. La surface extérieure de la bouilloire devient chaude pendant l'utilisation. Pour éviter les blessures, maintenez la poignée.

6.1.11. Veillez à éviter tout contact avec la vapeur provenant du couvercle ou du bec verseur.

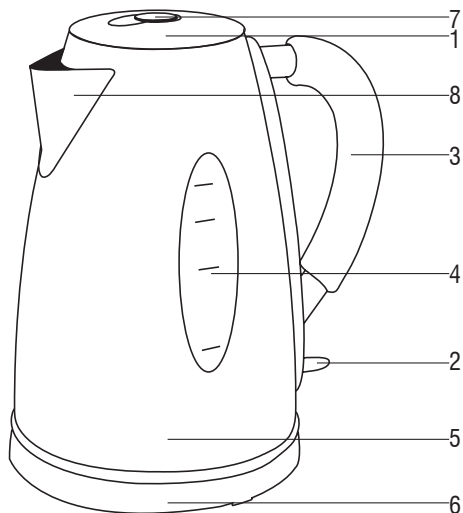
SPÉCIFICATIONS DU PRODUIT: Tension: 230 V ~ 50-60Hz Puissance: 2000W
Capacité d'eau: Minimum 0.6L - Maximum 1.7L

Guide de dépannage

Problème	Raison	Action	Precaution
Bouilloire perd de l'eau	Peut être la condensation.	Ceci est normal s'il est bouché à plusieurs reprises successivement.	Cette bouilloire est à usage domestique seulement.
	La bouilloire est trop remplie.	Verser l'eau au niveau MAX.	Si de l'eau surchargée peut éjecter de la bouilloire entraînant un risque.
	Commutateur colle.	Assurez-vous que le commutateur est propre.	Gardez l'appareil à l'écart des éclaboussures de cuisson.
La bouilloire ne fonctionne pas	La prise domestique est éteinte	Allumer la prise domestique.	Assurez-vous que l'eau couvre l'élément avant operating.
	La prise domestique ne fonctionne pas.	Vérifier la prise avec un autre appareil	L'appareil doit avoir une puissance similaire pour éviter une surcharge.
	La bouilloire n'est pas correctement installée sur la base.	Siège la bouilloire correctement sur la base.	La durée de vie de la bouilloire sera réduite si elle n'est pas assise sur la base correctement.
La bouilloire déclenche l'alimentation secteur	Circuit surchargé.	Débranchez tous les appareils attachés au même circuit.	Notez qu'il peut y avoir jusqu'à
La bouilloire prend trop de temps pour faire bouillir	L'élément possède des dépôts de calcaire	Détartre les éléments à base de détartrage à l'aide d'une propriété détartrante ou d'une solution d'acide citrique. Si elle n'est pas réussie, un nouvel élément peut être requis.	Les bouilloires avec échelle auront une durée de vie réduite. Nettoyez régulièrement les détartrants.
Bouilloires avec calcaire	L'élément possède des dépôts de calcaire.	Détartre les éléments à base de détartrage à l'aide d'une propriété détartrante ou d'une solution d'acide citrique. Si elle n'est pas réussie, un nouvel élément peut être requis..	Les bouilloires avec échelle auront une durée de vie réduite. Nettoyez régulièrement les détartrants.
La bouilloire rouille à l'extérieur	Le dépôt de vapeur a été oxydé et transformé en orange.	Essayez votre bouilloire après chaque utilisation pour rester sec.	Garder tout appareil propre en tout temps prolongera la durée de vie du produit.
L'élément rouille. Taches de rouille sur l'élément.	Dépôts d'eau sur l'élément. Certaines zones ont de l'eau qui se traduira par des taches orange ou marron	Certaines taches sont têtues et un détartrant peut ne pas être efficace. Cela ne devrait pas affecter le fonctionnement.	Utilisez de l'eau distillée.
La bouilloire ne s'arrête pas automatiquement.	Le couvercle n'est pas positionné correctement ou est désactivé.	Placez le couvercle sur la bouilloire en toute sécurité.	L'éjection de vapeur du bec ou du couvercle peut être dangereuse.

Estimado cliente,

Obrigado por ter comprado um produto da marca Mellerware. Graças à sua tecnologia, design e operação e ao fato de que excede os mais rigorosos padrões de qualidade, pode ser assegurado um uso totalmente satisfatório e uma longa vida útil.



1. Descrição das peças

1. Tampa
2. Interruptor ON / OFF
3. Manipular
4. Indicador de nível de água
5. Corpo da chaleira
6. Base 360°
7. Botão da tampa pop-up
8. Bico de água

2. Conselhos de segurança e avisos!

Leia atentamente estas instruções antes de ligar o aparelho e mantê-los para referência futura. A falha em seguir e observar estas instruções pode levar a causar um acidente. Limpe todos os pontos do produto que estarão em contato com alimentos, conforme indicado na seção de limpeza, antes de usar.

2.1. Ambiente de uso ou de trabalho:

2.1.1. Mantenha a área de trabalho limpa e bem iluminada. As áreas desordenadas e escuras convidam a acidentes.

2.1.2. Use o aparelho em uma área bem ventilada.

2.1.3. Não coloque o aparelho em superfícies quentes, como pratos de cozinha, queimadores de gás, fornos ou itens similares.

2.1.4. Mantenha as crianças e os espectadores afastados ao usar este aparelho.

2.1.5. Coloque o aparelho sobre uma superfície horizontal, plana e estável, adequada para suportar altas temperaturas e longe de outras fontes de calor e contato com água.

2.1.6. Mantenha o aparelho longe de material inflamável, como têxteis, cortinas, papelão ou papel, etc.

2.1.7. Não coloque material inflamável perto do aparelho.

2.1.8. Não use o aparelho em associação com um programador, temporizador ou outro dispositivo que o liga automaticamente.

2.1.9. Não use o aparelho se o cabo ou a ficha estiverem danificados.

2.1.10. Certifique-se de que a tensão indicada na etiqueta de classificação corresponda à tensão de alimentação da rede antes de conectar o aparelho.

2.1.11. Conecte o aparelho à fonte de alimentação com um soquete de parede suportando um mínimo de 10 amperes.

2.1.12. A ficha do aparelho deve encaixar adequadamente a tomada da fonte de alimentação. Não altere o plugue.

2.1.13. Se estiver usando uma ficha múltipla, verifique cuidadosamente as avaliações, pois a corrente usada por vários aparelhos pode exceder facilmente a classificação do plugue múltiplo.

2.1.14. Se algum dos invólucros do aparelho estiver quebrado, desconecte imediatamente o aparelho da fonte de alimentação para evitar a possibilidade de choque elétrico.

2.1.15. Não use o aparelho se cair no chão ou se houver sinais visíveis de danos.

2.1.16. Não force o cabo de alimentação. Nunca use o cabo de alimentação para levantar, transportar ou desconectar o aparelho.

2.1.17. Não enrole o cabo de alimentação em volta do aparelho.

2.1.18. Não prenda nem dobre o cabo de alimentação.

2.1.19. Não permita que o cabo de alimentação fique pendurado ou entre em contato com as superfícies quentes do aparelho.

2.1.20. Verifique o estado do cabo de alimentação. Cabos danificados ou emaranhados aumentam o risco de choque elétrico.

2.1.21. O aparelho não é adequado para uso externo.

2.1.22. O cabo de alimentação deve ser examinado regularmente

Para sinais de danos, e se o cabo estiver danificado, o aparelho não deve ser usado.

2.1.23. Não toque a ficha com as mãos molhada.

2.2. Segurança pessoal:

2.2.1. **CUIDADO:** Não deixe o aparelho sem vigilância durante o uso, pois existe o risco de um acidente.

2.2.2. Não toque na parte aquecida do aparelho, pois pode causar queimaduras graves.

2.2.3. Este aparelho é apenas para uso doméstico, não para uso industrial ou profissional. Não se destina a ser usado por convidados em ambientes de hospitalidade, como cama e café da manhã, hotéis, motéis e outros tipos de ambientes residenciais, mesmo em casas de fazenda, áreas do pessoal de cozinha em lojas, escritórios e outros ambientes de trabalho.

2.2.4. Este aparelho não se destina a uso de pessoas (incluindo crianças) com capacidades físicas, sensoriais ou mentais reduzidas, ou falta de experiência e conhecimento, a menos que tenham sido supervisionadas ou instruídas sobre o uso do aparelho por uma pessoa responsável pela sua segurança.

2.2.5. Este aparelho não é um brinquedo. As crianças devem ser supervisionadas para garantir que não brinquem com o aparelho.

2.3. Uso e cuidado:

2.3.1. Desligue completamente o cabo de alimentação do aparelho antes de cada uso.

2.3.2. Não use o aparelho se os acessórios ou acessórios não estiverem adequadamente instalados.

2.3.3. Não use o aparelho quando vazio.

2.3.4. Não ligue o aparelho enquanto estiver em uso ou conectado à rede elétrica.

2.3.5. Não cubra a superfície de cozimento ou alimentos com papel alumínio e outros materiais similares.

2.3.6. Desconecte o aparelho da fonte de alimentação quando não estiver em uso e antes de tomar qualquer tarefa de limpeza.

2.3.7. Este aparelho deve ser armazenado fora do alcance das crianças.

2.3.8. Não guarde o aparelho se ainda estiver quente.

2.3.9. Nunca deixe o aparelho sem vigilância quando estiver em uso e mantenha-se fora do alcance das crianças.

2.3.10. Se, por algum motivo, o aparelho pegar fogo, desconecte-o da fonte de alimentação e NÃO USE

ÁGUA PARA APAGAR O INCÊNDIO.

2.4. Serviço:

2.4.1. Certifique-se de que o aparelho é servido apenas por um técnico devidamente qualificado e que somente os acessórios originais de reposição ou acessórios usados para substituir par ts / acessórios existentes.

2.4.2. Se o cabo de alimentação estiver danificado, o fabricante ou o seu agente de serviço ou uma pessoa qualificada de forma semelhante devem substituí-lo para evitar um perigo.

2.4.3. Qualquer uso indevido ou falha em seguir as instruções de uso torna a garantia e a responsabilidade do fabricante nula e sem efeito.

3. Instruções de uso

3.1. Antes de usar:

3.1.1. Remova a película protetora do aparelho (se aplicável).

3.1.2. Antes de usar o produto pela primeira vez, limpe os pontos que entrarão em contato com os alimentos da maneira descrita na seção de limpeza.

3.2 Uso e cuidado:

3.2.1. Abra a tampa da chaleira; Encha com água da torneira no nível desejado. (A capacidade mínima é 0.6L e a capacidade máxima é 1.7L). Em áreas de água dura, é recomendável usar água purificada ou filtrada para reduzir a quantidade de acumulação de balança na chaleira. (Nota: Você também pode preencher o bico, mas tenha cuidado para não encher demais - use o indicador de nível de água para verificar).

3.2.2. Feche a tampa até que ela prenda. Coloque a chaleira na base e conecte-a à rede elétrica.

3.2.3. Para ligar a chaleira, pressione o interruptor On / Off para a posição 1. (**CUIDADO:** Não coloque pressão sobre o interruptor). Quando a água estiver fervida, a chaleira desligará automaticamente. Você pode parar a chaleira a qualquer momento pressionando o interruptor On / Off na posição 0.

3.2.4. Despeje devagar e com cuidado. Se você quiser ferver novamente, aguarde um minuto para que a chaleira esfrie.

3.2.5 Atenção: se a chaleira estiver fervida, estará cheia de vapor que escapará se a tampa for aberta.

3.2.6 **IMPORTANTE:** Não abra a tampa quando o vapor estiver saindo do bico. Antes de verter ou encher,

lembre-se sempre de desconectar a ficha da rede elétrica.

3.2.7 Nota: Se achaleira estiver ligadaquandovazia ou com poucaágua, então a chaleira sedesligará automaticamente para proteger contra a ebulição a seco. Aguarde \pm 15 minutosaté que o elemento de aquecimento seesfriar, enxer com água da torneira e usarcomo normal. Estafunção de proteção não foi projetada para uso regular, poisreduzirá a vidaútil do elemento. Se achaleira estiver sobrecarregada, aáguaferventepode ser ejetada. A chaleira é apenas para uso com o suportefornecido (apenasmodelos-semfio). O aparelho não deve ser imerso em líquido durante a limpeza. Se o cabo de alimentação estiver danificado, o fabricante ou o seu agente de serviço ou uma pessoaaigualmentequalificada deve substituí-lo para evitar um perigo.

4. Limpeza e manutenção

4.1.1. DESCALAR

Certifique-se sempre de que a chaleiraestejadescnectada da rede elétrica antes da descalcificação. Escalar ou furring é um problemacomum em áreas de água dura.

4.1.2. Encha a chaleiranaposição MAX e ferva a água. Retire a chaleira da unidade de base e a ficha da tomada e coloque-a em uma pia ou vasilhavazia.

4.1.3. Adicione 50 gramas de ácido cítrico (disponível a partir de químicos) ou outros produtosdescalcificantes (disponíveisnossupermercados) naágua ou conformeindicado.

4.1.4. Deixe-o repousarduranteaproximadamente 5 minutos ou até que a efervescênciadiminua e, em seguida, esvazie a água. Enxáguebem e limpe.

5. Anomalias e reparação

5.1. Pegue o aparelho em um centro de suporteautorizado, se o produto estiver danificado ou surgirem outros problemas.

5.2. Se a ligação com a rede tiver sido danificada, deve ser substituída e você deve tartar-lacomofaria em caso de danos.

6. Avisosadicionais para chaleiras

6.1. A chaleira e a base (quandoaplicável) não devem ser operadas com outros modelos de chaleira.

6.1.2. A chaleira está equipada com um corte de

operação em seco que a desliga se estiver a ferver. Se isto

acontecedeixa a chaleiraarrefecer por aproximadamente 15 minutos, depoisencha-a com água fria. Issoirádefinir o corte para que a chaleirapossa ser usada novamente.

6.1.3. Não transborde. Verifique o medidor de nível de água no enchimento.

6.1.4. Nunca retire a ficha da tomada da parede enquanto estiver em operação. Desligue o aparelho primeiro.

6.1.5. Certifique-se de que a tampa está fechada corretamente antes de ligar, para evitar que as gotas de água se ferverem. Não abra a tampa quando estiver fervendo

6.1.6. Depois que a chaleira estiver fervida, pode precisar de um minuto para arrefecer antes de reiniciar.

6.1.7. Tenha cuidado ao derramar. Despeje devagar e não incline demais.

6.1.8. Certifique-se de que a chaleirasejasempre usada sobre uma superfície plana.

6.1.9. A água permanecerá quente durante um tempo considerável após a ebulição e apresentará um risco de escaldar. Cuide e fique longe de crianças.

6.1.10. A superfície externa da chaleira ficará quente durante o uso. Para evitar lesões, segure apenas a alça.

6.1.11. Tenha cuidado para evitar o contato com o vapor que vem da tampa ou bico.

ESPECIFICAÇÕES DO PRODUTO:

Voltagem: 230 V ~ 50-60Hz

Potência: 2000W

Capacidade de água: mínimo 0.6L - máximo 1.7L

Guia de solução de problemas

Problema	Razão	Ação	Precaução
Chaleira está vazando água	Pode ser a condensação.	Isso é normal se ser utilizado várias vezes em sucessão	Estachaleira é apenas para uso doméstico.
	Chaleira está cheia demais.	Despeje a água até o nível "MAX."	Se a água sobrecarregada pode ser expulsa da chaleira, resultando em um perigo.
	A ficha está colando.	Certifique-se de que o interruptor esteja limpo.	Mantenha o aparelho longe de salpicos de cozinha.
Chaleira não funciona	A tomada doméstica está desligada.	Ligue a tomada doméstica.	Certifique-se de que a água cobre o elemento antes de operar.
	A tomada doméstica não está funcionando.	Verifique a tomada com outros aparelhos	O aparelho deve ser de potência semelhante para evitar sobrecargas.
	A chaleira não está encaixada corretamente na base.	Assente a chaleira na base corretamente.	A vida da chaleira será reduzida se não estiver sentado na base corretamente.
Hidromassagem desliga a fonte de alimentação	O circuito está sobrecarregado.	Desconecte todos os aparelhos conectados ao mesmo circuito.	Observe que pode haver até cinco tomadas de tomada doméstica em um circuito.
Chaleira leva muito tempo para ferver	O elemento tem depósitos de calcário	Descalcifique-o usando uma descalcificação patenteada ou solução de ácido cítrico. Se não for bem sucedido, um novo elemento pode ser necessário.	Chaleiras com escalaterão uma vida útil reduzida. Limpe a escala regularmente.
Chaleiras com calcário	O elemento tem depósitos de calcário.	Descalcifique-o usando uma descalcificação patenteada ou solução de ácido cítrico. Se não for bem sucedido, um novo elemento pode ser necessário.	Chaleiras com escalaterão uma vida útil reduzida. Limpe a escala regularmente.
Chaleira está enferrujada lá fora Chaleira não funciona	O depósito de vapor foi oxidado e transformado em cor laranja.	Limpe sua chaleira após cada uso para manter a temperatura seca.	Manter qualquer aparelho limpo em todos os momentos prolongará a vida útil do produto.
O elemento está enferrujando. Pontos de ferrugem no elemento.	Depósitos de água no elemento. Algumas áreas têm água que resultará em manchas laranja ou marrom.	Algumas manchas são duras e um descalcificador pode não ser eficaz. Isso não deve afetar o funcionamento.	Usar água destilada.
Chaleira não desliga automaticamente.	A tampa não está posicionada corretamente ou está desligada.	Coloca a tampa na chaleira com segurança.	A expulsão do vapor do bico ou da tampa pode ser um perigo.

mellerware
makes life easier



Thank you for purchasing a Mellerware product. Mellerware guarantees that your product has been thoroughly inspected and tested before being dispatched and is free from mechanical and electrical defects and complies with the applicable safety standards. With every Mellerware product purchased you get a 2 year warranty as detailed in the terms and conditions below.

First Year – 1 Year Retail Warranty:

Should defects due to faulty parts or workmanship develop, under normal use, within 12 months from the original purchase date, please return the product to the store from where it was purchased for repair free of charge. However, for the customer's convenience we will replace products where the purchase price is equal to or less than R750 incl. VAT

Second Year – 1 Year Extended Warranty

Mellerware takes pride in their product quality and therefore offer an extended 12 month warranty over and above the 1 Year Retail Warranty. Should defects due to faulty material or workmanship develop, under normal domestic use, after the 12 month period and within 24 months from the original date of purchase, please return the product postage pre-paid to Mellerware for repair. Mellerware will repair the product free of charge and return it to you directly. Mellerware will replace a product with a similar product in the same or better condition, if the repair cannot be conducted for whatever reason.

NB: The 1 Year Extended Warranty is only valid for customers who have registered their warranty online at www.mellerware.co.za within the first year after making their purchase. See overleaf for details and instructions.

Before returning your product, check the following:

- Your household mains supply socket is in good condition, working and switched on.
- The mains supply circuit is not overloaded (White trip switch on your DB board is off).
- You have read the trouble shooting guide in your Instructions for Use.
- All accessories and parts are present.

The following conditions apply:

1. Please ensure you retain your receipt as this must be presented when making a claim under the terms of the guarantee. It is impossible to determine the guarantee period without proof of purchase, so please keep this in a safe place. (NB. Your guarantee can be scanned onto the Mellerware web site for safe storage – see reverse side for details.)
2. If a refund or exchange is required the product must be complete with all accessories, parts and packaging. Missing parts will render the guarantee void.
3. Upon receipt of your appliance, check it for any transport damage to ensure it is safe for use. Return it to the store as soon as possible for exchange if damaged. The guarantee is void if products are damaged after use, so please do not use the damaged product.

4. Your product is designed for normal domestic household use. Failure to read and comply with the instructions for use, cleaning and maintenance will render your guarantee void, so please read these instructions carefully to ensure your safety, and to get the most effective use from the product. (e.g. not removing lime scale; water deposits; insect infestation, and/or burnt products)
5. Any abuse, negligent, improper or accidental use or care will render the guarantee void and Creative Housewares (Pty) Ltd will not be liable for any loss or damage.
6. Any attempted repair, or replacement of unauthorised parts will render the guarantee void, so please contact an authorised service centre or service agent for any service or repair requirements.
7. NB: The guarantee on replaced products will be from the original date of purchase and not from when the date replacement was made.
8. All repairs carry a 3 month guarantee even if this falls outside of the 2 year guarantee period.
9. Mellerware will attempt to conduct repairs within reasonable time in line with industry standards but cannot be held responsible or liable for any circumstances not under our control.
10. Terms and Conditions are subject to change without prior notice.

Repairs Out of the Warranty Period

If service or repair becomes necessary outside the warranty period, this service is still available however all transport/postage, spares and labour costs will be for the customers' account. All chargeable repairs will require the customers' written acceptance of the quote. Once the go-ahead has been received Mellerware will undertake to conduct the repair within a reasonable time and maintain the condition of the product as received. All repairs are guaranteed for 3 months from the date of the repair.

For any service, enquiries and complaints please contact our Customer Care on 086 111 5006 or e-mail help@creativehousewares.co.za from 08h00 to 15h00 Monday to Friday excluding public holidays. Please also note that the company is normally closed for 2 weeks around Christmas and New Year.

Please send all products for repair postage pre-paid to one of the service centres listed on the back of this page.

ONLINE WARRANTY REGISTRATION

Why register your warranty?

We at Mellerware pride ourselves on bringing premium quality appliances to market, and as a commitment to this level of quality we offer a 2 year warranty (1 Year Retail + 1 Year Extended) on all of our products. We often hear that our customers lose their receipts and can therefore no longer claim if they have a problem. To take advantage of the 1 Year Extended Warranty you will need to register your warranty online within the first year of purchase in order to make a valid claim. Now you can register your product, upload your warranty online, never have to worry about losing your receipt again and enjoy the benefit of your 2 year warranty.

Added Benefits

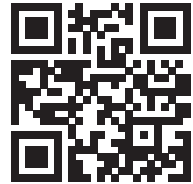
In addition to providing you with an online profile of your registered products we will also provide a host of value added benefits:

- Incentives and Competitions for registered users
- New recipes or ideas for your products
- New product developments – be the first to get the latest appliances
- Special offers on promotional items

How to Register your Online Warranty?

STEP 1 Create your user profile:

If you haven't done so already, simply visit www.mellerware.co.za, click on the "Product Registration" link and follow the easy instructions. You will receive a user-name and password once registered. This will give you access to your user profile.



STEP 2 Pick a registration method:



DESKTOP/ LAPTOP

- Open your internet browser and visit www.mellerware.co.za
- Click on the "Registration" link and login using your user name and password.
- Click on "Register your products and upload receipts" and follow the easy instructions.
- Scan and upload your receipt



SMART PHONE/ TABLET

- Scan the QR code above or visit www.mellerware.co.za
- Click on the "Registration" link and login using your user name and password.
- Click on "Register your products and upload receipts" and follow the easy instructions.
- Scan or take a photo and upload your receipt.



FAX

- Fax the following to 021 931 4058
- First Name and Surname
- Contact telephone and fax number.
- Product Model number and Type.
- Traceability Code (found on a label on the product)
- A clear and legible copy of your receipt.

Notes:

1. The online warranty system is a safe storage facility for your receipt.
2. You will be required to register on the Mellerware website. You will receive a username and password once registered. This will give you access to your profile.
3. From your profile you will be able to load products that you have purchased. In order to successfully register your warranty you will need to either scan and upload, or fax through your receipt to us.
4. All instructions on how to load your products are available

inside your profile.

5. Please note that you must check that your receipt has been uploaded correctly. Creative Housewares cannot be held responsible for faxes or files not received.
6. For assistance with registration please email: marketing@creativehousewares.co.za.

NB: Your 1 year extended warranty is only valid if your product is registered online within the first year after purchasing your Mellerware product. Failure to register your product on-line within the first year will render the extended warranty as void.

creative housewares

National Service Centre: 086 111 5006
e-mail: help@creativehousewares.co.za
www.creativehousewares.co.za

Cape Town

20 Tekstiel Street, Parow, Cape Town, 7493,
South Africa • P.O. Box 6156 Parow East, 7501,
South Africa Tel: +27 21 931 8117
Fax: +27 21 931 4058

Durban

35 Adrain Road, Windermere,
Durban, South Africa, 4001
Tel: +27 31 303 3465
Fax: +27 31 303 8259

Johannesburg

Unit 25 & 26 San Croy Office Park
Die Agora Road, Croydon, 1619
Tel: +27 11 392 5652
Fax: +27 11 392 1694

mellerware®

makes life easier



Dankie vir die aankoop van 'n Mellerware produk. Mellerware Mellerware dat u produk deeglik geïnspekteer en getoets word voordat dit versend word en is vry van meganiese en elektriese gebreke en voldoen aan die toepaslike veiligheidsstandaarde. Met elke Mellerware produk wat gekoop word kry u 'n 2 jaar waarborg soos uiteengesit in die terme en voorwaardes hieronder.

Eerste Jaar - 1 Jaar Kleinhandelswaarborg:

Indien defekte as gevolg van foutiewe onderdele of vakmanskap binne 12 maande onder normale huishoudelike gebruik ontwikkel, binne die 12 maande vanaf die oorspronklike datum van aankoop, neem asseblief die produk na die winkel van waar dit gekoop is vir 'n terugbetaling of vervanging.

Tweede Jaar - 1 Jaar Uitgebreide Waarborg

Mellerware is trots op die kwaliteit van die produk en bied dus 'n uitgebreide 12 maande waarborg bo en behalwe die 1 Jaar kleinhandelswaarborg. Indien defekte as gevolg van foutiewe materiaal of vakmanskap ontwikkel, onder normale huishoudelike gebruik, na die 12 maande tydperk en binne 24 maande vanaf die oorspronklike datum van aankoop, stuur die produk terug met posgeld betaal na Mellerware vir herstel. Mellerware sal die produk gratis herstel en dit direk aan u terugstuur. Mellerware sal die produk vervang met 'n soortgelyke produk in dieselfde of beter toestand, as die herstel nie uitgevoer kan word vir watter rede ookal nie.

NB: Die 1 Jaar Uitgebreide waarborg is slegs geldig vir kliënte wat hul waarborg geregistreer het op ons webtuiste by www.mellerware.co.za binne die eerste jaar nadat hulle dit aangekoop het. Sien keersy vir besonderhede en instruksies.

Voordat u die produk terug stuur, maak seker van die volgende:

- U huishoudelike geleidingsok is in 'n goeie toestand, werk en aangeskakel is,
- Die geleidingsok is nie oorlaai nie (Wit uitskop skakelaar op u DB bord af is),
- U het die moeilikheid steuringsgids gelees in u instruksies vir gebruik,
- Alle bykomstighede en dele teenwoordig is.

Die volgende voorwaardes geld:

1. Maak seker dat u kwitansie behoue is, dit moet aangebied word wanneer 'n eis gemaak word onder die voorwaardes van die waarborg. Dit is onmoontlik om die waarborg tydperk te bepaal sonder die bewys van aankoop, so hou dit asseblief in 'n veilige plek. (NB. U waarborg kan opgeskander word na die Mellerware webtuiste vir veilige bewaring - sien keersy vir meer inligting.)
2. Indien 'n terugbetaling of omruiling van die produk nodig is moet die produk volledig wees met al die bykomstighede, onderdele en verpakking. Toebehore wat weg is sal die waarborg nietig maak.
3. Met ontvangs van u toestel, gaan dit na vir enige vervoer skade om te verseker dat dit veilig is vir gebruik. Stuur dit so gou as moontlik terug na die winkel om die beska-

digde toestel te vervang. Die waarborg is nietig indien die beskadigde produk gebruik word na die tyd, so moet asseblief nie die beskadigde produk gebruik nie.

4. U produk is ontwerp vir normale huishoudelike gebruik. Deur te versuim om die instruksies te lees en te voldoen aan die terme van gebruik, die skoonmaak en instandhouding van die produk maak u waarborg ongeldig, so lees asseblief hierdie instruksies versigtig om u veiligheid te verseker, en om die beste uit die gebruik van die produk te kry. (bv nie die verwydering van kalk skaal; water neerslag; insek besmetting, en / of verbrande produkte)
5. Enige misbruik, nalatige, onbehoorlike of toevallige beskadiging of sorg van die produk word die waarborg nietig en Creative Housewares (Pty) Ltd, sal nie aanspreeklik wees vir enige verlies of skade nie.
6. Enige poging tot herstel, of vervanging met ongemaagtigde onderdele sal die waarborg nietig maak, so kontak 'n gemagtigde dienssentrum of diensagent vir enige diens van herstelwerk.
7. NB: Die waarborg op die vervangingsprodukt sal by die oorspronklike datum van aankoop bly en nie van die datum wanneer dit vervang is nie.
8. Alle herstelwerk dra 'n 3 maande waarborg selfs al val dit buite die 2-jaar waarborg tydperk.
9. Mellerware sal probeer om die herstelwerk te doen binne 'n redelike tyd in lyn met die industrie standaarde, maar kan nie verantwoordelik gehou word of aanspreeklik wees vir enige omstandighede nie onder ons beheer nie.

Herstelwerk buite die waarborg tydperk

As diens of herstelwerk benodig word buite die waarborg tydperk, is hierdie diens steeds beskikbaar, maar is alle vervoer / posgeld, onderdele en arbeidskoste op die kliënte se onkoste. Alle betaalbare herstelwerk sal skriftelike aanvaarding van die kwotasie vereis van die kliënt. Sodra Mellerware die groen lig ontvang sal ons onderneem om die herstel binne 'n redelike tyd en in dieselfde toestand te hou as wat die produk ontvang is. Alle herstelwerk is gewaarborg vir 3 maande vanaf die datum van die herstel.

Vir enige diens, navrae en klagtes kontak ons kliënte diens op 086 111 5006 of e-pos help@creativehousewares.co.za vanaf 08h00 tot 15h00, Maandag tot Vrydag, openbare vakansiedae uitgesluit. Let asseblief ook daarop dat die maatskappy gewoonlik gesluit is vir 2 weke gedurende Kersfees en Nuwejaar.

Stuur asseblief alle produkte vir herstel met posgeld vooruit betaal aan een van die dienssentrus wat op die agterkant van hierdie bladsy verskyn.

AANLYN WAARBORG REGISTRASIE

Hoekom moet u die waarborg moet registreer?

Ons by Mellerware is trots om premium gehalte toestelle op die mark te bring, en as 'n verbintenis tot die vlak van gehalte bied ons 'n 2 jaar waarborg (1 Jaar Kleinhandel + 1 Jaar Uitgebreide) op al ons produkte. Ons hoor dikwels dat ons kliënte hul kwitansies verloor en kan dus nie meer eis as hulle 'n probleem het nie. Om voordeel te trek van die 1 Jaar Uitgebreide waarborg sal u nodig hê om u waarborg aanlyn te registreer binne die eerste jaar van aankoop om 'n geldige eis te maak. Nou kan u die produk aanlyn registreer, laai u waarborg en hoef u nooit te bekommer dat u die kwitansie sal verloor nie en die voordeel van u 2-jaar waarborg geniet.

Bygevoegde Voordele

Bykomend tot die verskaffing van 'n aanlyn profiel van u geregistreerde produkte bied ons ook vele ander toegevoegde waarde voordele:

- aansporings en kompetisies vir geregistreerde gebruikers
- nuwe resepte of idees vir u produkte
- nuwe produk ontwikkelings - die eerste wees om die nuutste toestelle te kry
- spesiale aanbiedings op promosie-items

Hoe om u Aanlyn Waarborg te Registreer?

STAP 1 Skep u gebruikersprofiel:

As u dit nie reeds gedoen het nie, besoek www.mellerware.co.za, klik op die "Product Registration" skakel en volg die maklike instruksies. U sal 'n gebruikersnaam en wagwoord ontvang sodra u geregistreer het. Dit sal u toegang tot u profiel gee.



STAP 2 Kies 'n registrasie metode:



REKENAAR/ SKOOTREK- ENAAR

- Maak u internet snuffelgids oop en besoek www.mellerware.co.za
- Klik op die "Registrasie" skakel en teken in met u gebruikersnaam en wagwoord.
- Klik op "Register your products" en laai kwitansie en volg die maklike instruksies.
- Skandeer en laai u strokie



SMART- FOON / TABLET

- Skandeer die QR-kode bo of besoek www.mellerware.co.za
- Klik op die "Registration" skakel en teken aan met u gebruikersnaam en wagwoord.
- Klik op "Register your products" en laai u kwitansie en volg die maklike instruksies.
- Skandeer of neem 'n foto en laai u strokie.



FAKS

- Faks die volgende na 021 931 4058
- Naam en Van
- Kontak telefoon en faksnommer.
- Produk model nommer en tipe.
- Traceability Code (wat op die Waarborgkaart of op 'n etiket op die produk gevind kan word)
- 'n Duidelike en leesbare afskrif van u ontvangs.

Notas:

1. Die aanlyn waarborg stelsel is 'n veilige stoor fasiliteit vir u strokies.
2. U sal gevra word om op die Mellerware webtuiste te registreer. U sal 'n gebruikersnaam en wagwoord ontvang. Dit sal u toegang gee tot u profiel.
3. Van u profiel u sal in staat wees om produkte te laai wat u gekoop het. Om u waarborg suksesvol te registreer sal u nodig hê om of te skandeer en oplaai, of faks u strokie deur na ons.
4. Alle instruksies oor hoe om u produkte te laai is beskikbaar binne in u profiel.
5. Let daarop dat u moet seker maak dat u kwitansie korrek op-

gelaai is. Creative Housewares kan nie verantwoordelik gehou word vir fakske of lêers nie ontvang nie.

6. Vir hulp met registrasie e-pos asseblief: marketing@creative-housewares.co.za.

NB: U 1 jaar verlengde waarborg is slegs geldig indien u produk aanlyn geregistreer is binne die eerste jaar na die aankoop van u Mellerware produk. Indien u produk nie aanlyn geregistreer word binne die eerste jaar nie sal dit die verlengde waarborg nietig maak.

creative housewares

National Service Centre: 086 111 5006
e-mail: help@creativehousewares.co.za
www.creativehousewares.co.za

Cape Town

20 Tekstiel Street, Parow, Cape Town, 7493,
South Africa • P.O. Box 6156 Parow East, 7501,
South Africa Tel: +27 21 931 8117
Fax: +27 21 931 4058

Durban

35 Adrian Road, Windermere,
Durban, South Africa, 4001
Tel: +27 31 303 3465
Fax: +27 31 303 8259

Johannesburg

Unit 25 & 26 San Croy Office park
Die Agora Road, Croydon, 1619
Tel: +27 11 392 5652
Fax: +27 11 392 1694



Durban
35 Adrain Road, Windermere,
Durban, South Africa, 4001
Tell: +27 31 303 3465
Fax: +27 31 303 8259

creative housewares

 20 Tekstiel Street, Parow, Cape Town, 7493, South Africa
 P.O. Box 6156 Parow East, 7501, South Africa
 +27 21 931 8117  +27 21 931 4058
Service Centre Helpline: 086 111 5006
 www.creativehousewares.co.za

Johannesburg
Unit 25 & 26 San Croy Office Park
Die Agora Road, Croydon, 1619
Tell: +27 11 392 5652
Fax: +27 11 392 1694

